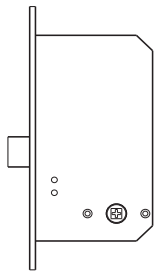


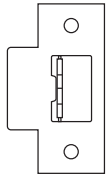


BENZOVILLE
BY UNIQUE INNOVATIONS



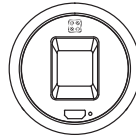
X1

**LOCK
SET**



X1

**STRIKING
PLATE**



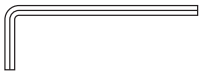
X1

FRONT CASE



X4

4*25



X1

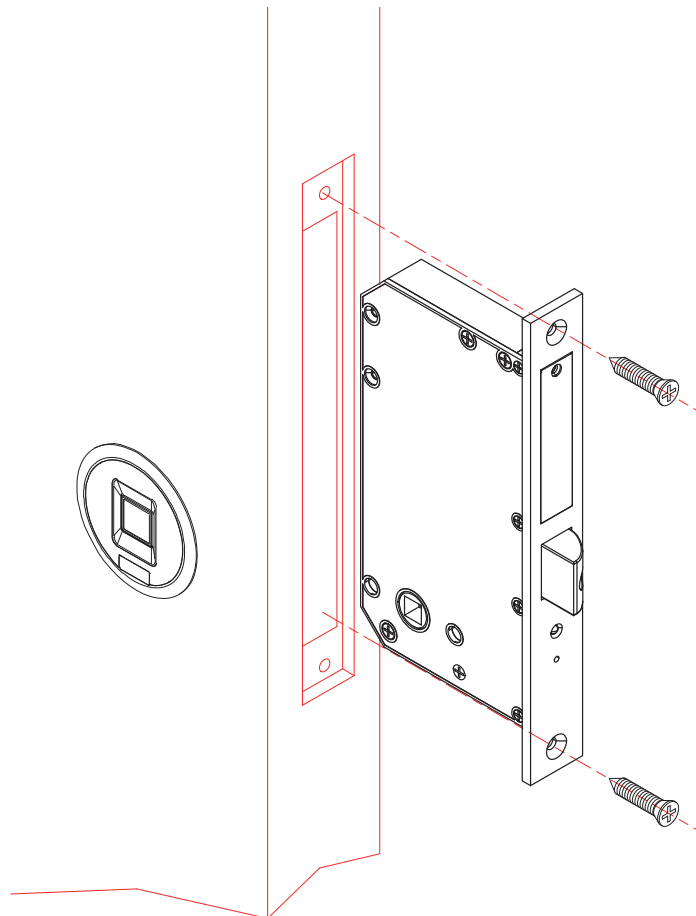
ALLEN WRENCH

**INSTALLATION
NOTES**

**INSTRUCTION
MANUAL**

INSTALLATION DIAGRAM

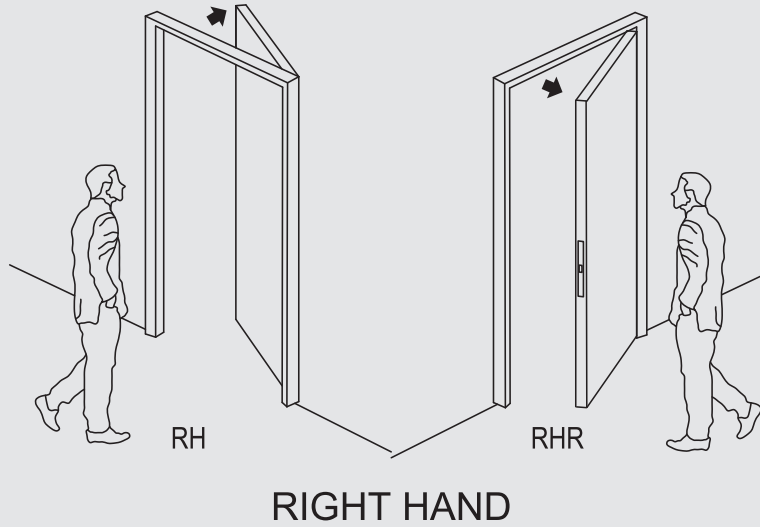
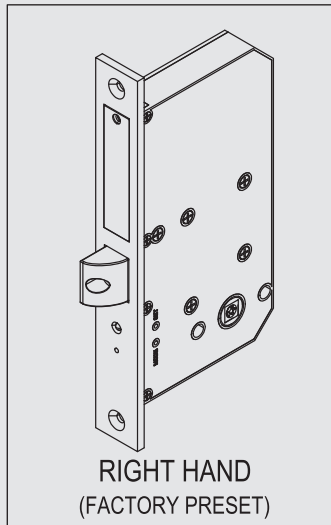
SDDF-MC001



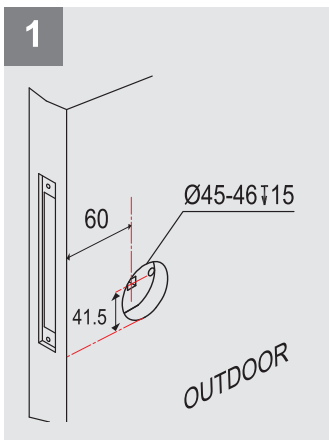
FOR DOOR THICKNESS : 40-55MM

202511-DF-V1

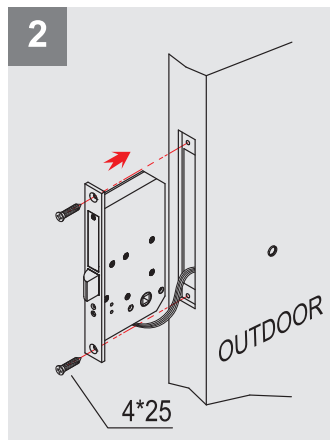
SCHEMATIC DIAGRAM OF LATCH DIRECTION



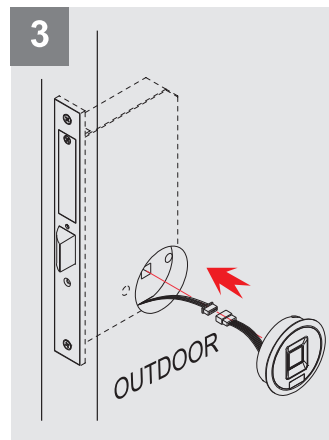
INSTALL LOCK SET



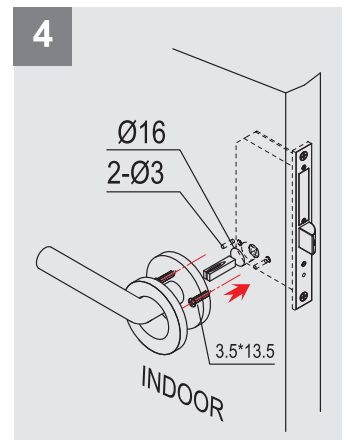
1. Drill a Ø45-46 hole.



2. Install the lock set.
Make sure that the star cube is facing outside.

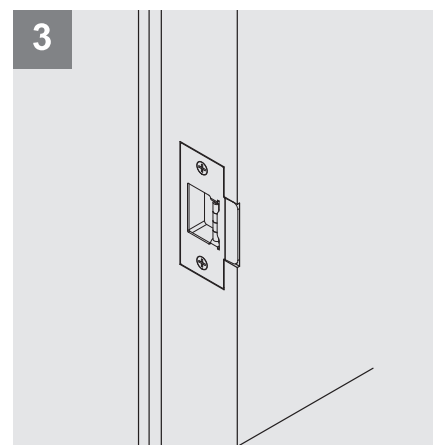
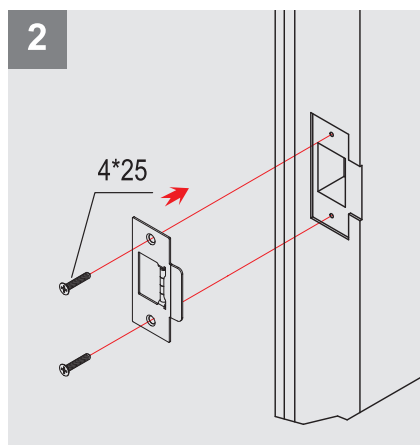
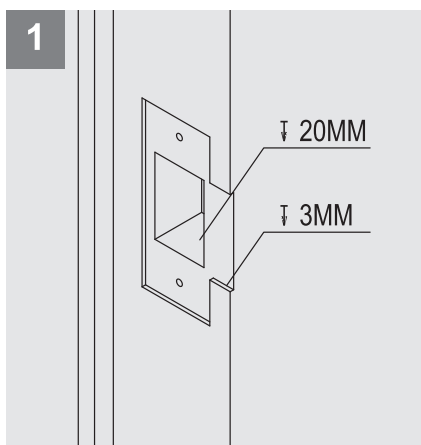


3. Insert the socket to the hole.

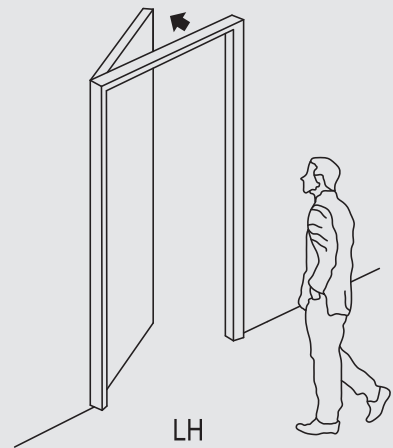
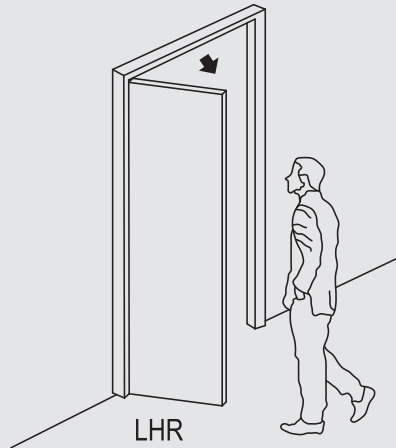
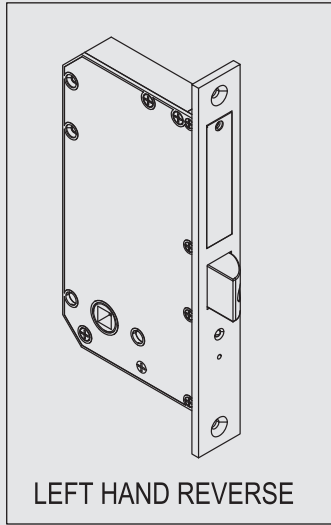


4. Install handle on the inner door.

INSTALL STRIKING PLATE

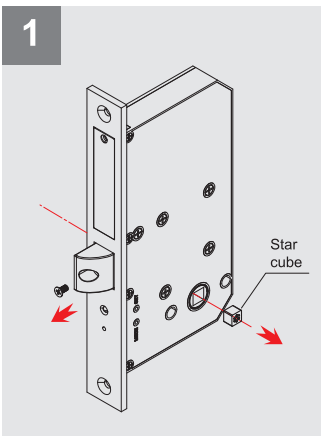


SCHEMATIC DIAGRAM OF LATCH DIRECTION

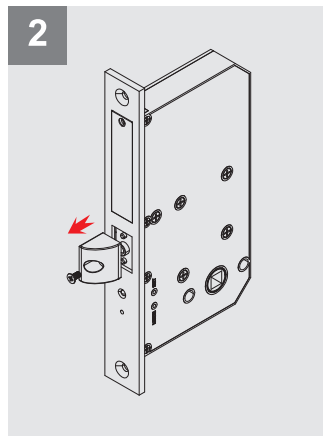


LEFT HAND REVERSE

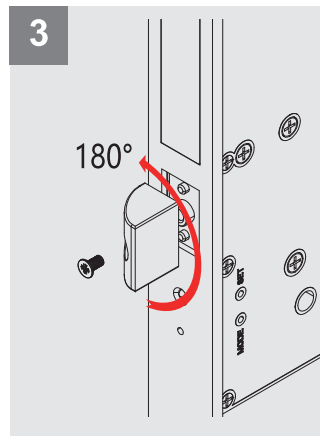
CHANGING LATCH DIRECTION



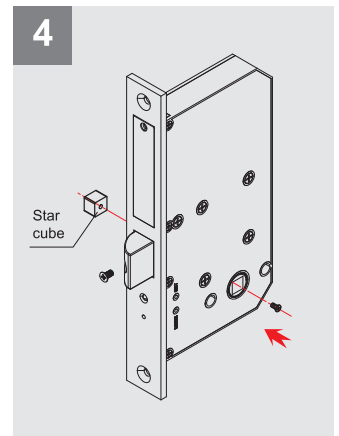
1. When install the lock for different door swinging directions, remove the latch screw and star cube



2. Take out the latch

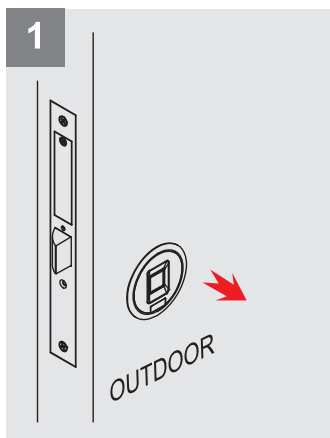


3. Turn the latch 180°

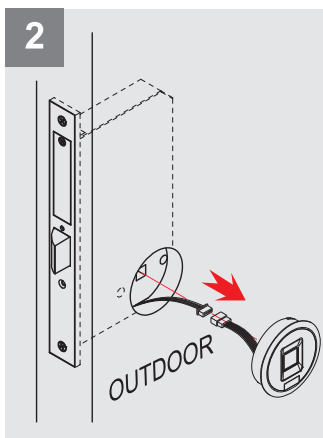


4. Re-install latch screw and the star cube

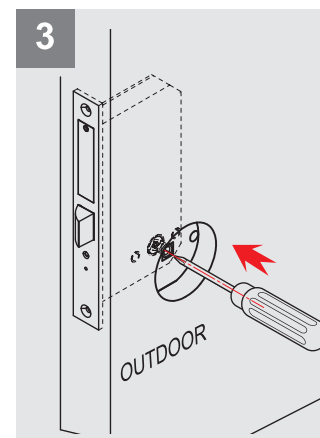
EMERGENCY OPEN USE



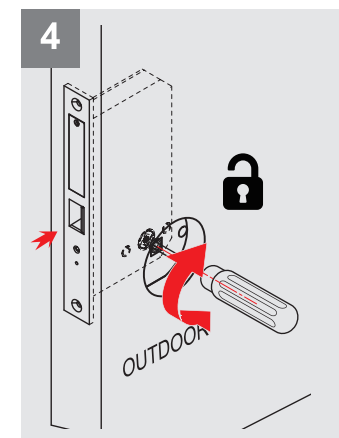
1. Use a tool to remove the front case.



2. Pull out the front case to reveal the hidden keyhole inside



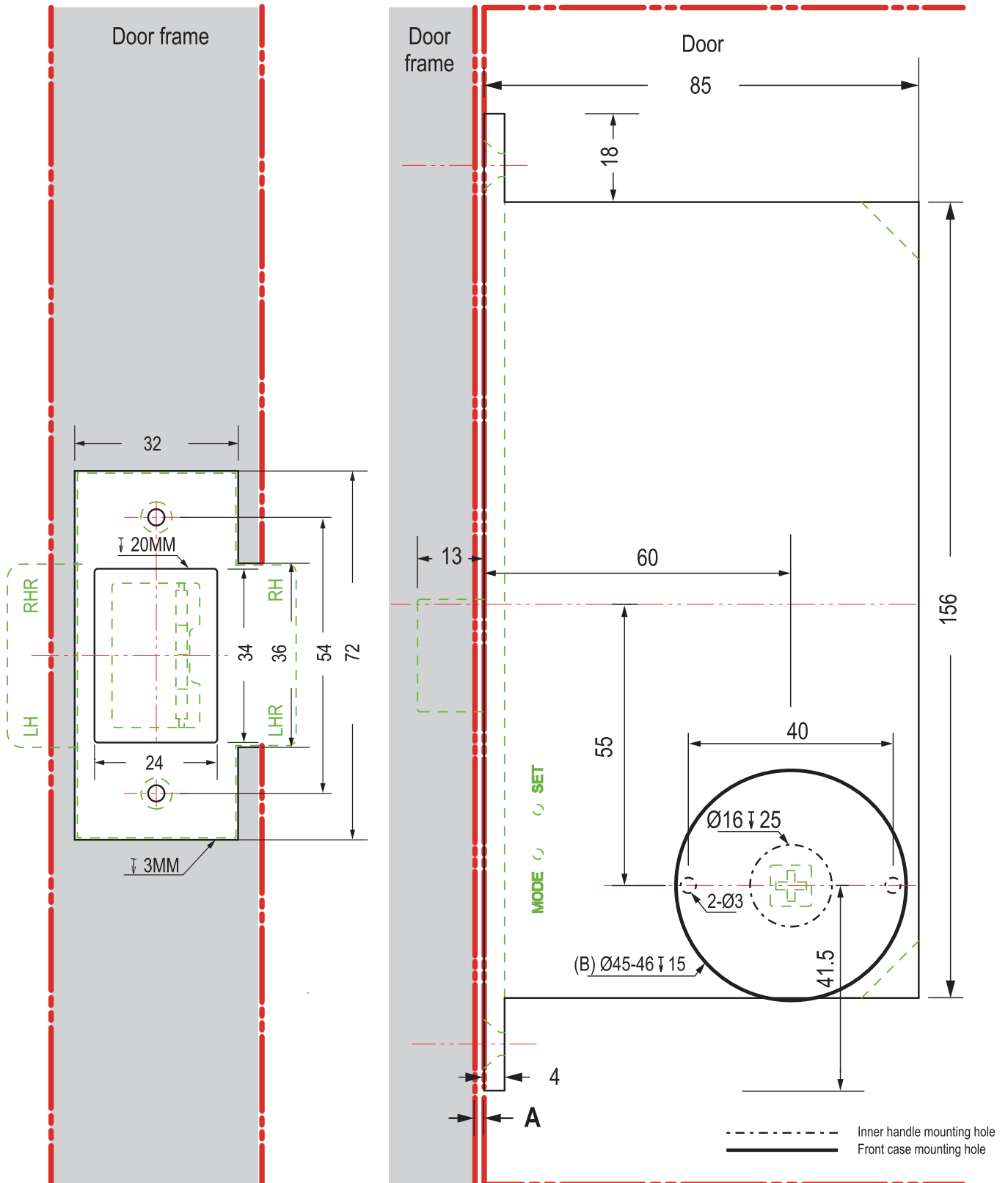
3. Take the star shape allen screwdriver and insert to the hole



4. Turn the screwdriver to unlock the door

INSTALLATION DIAGRAM

RIGHT DOOR

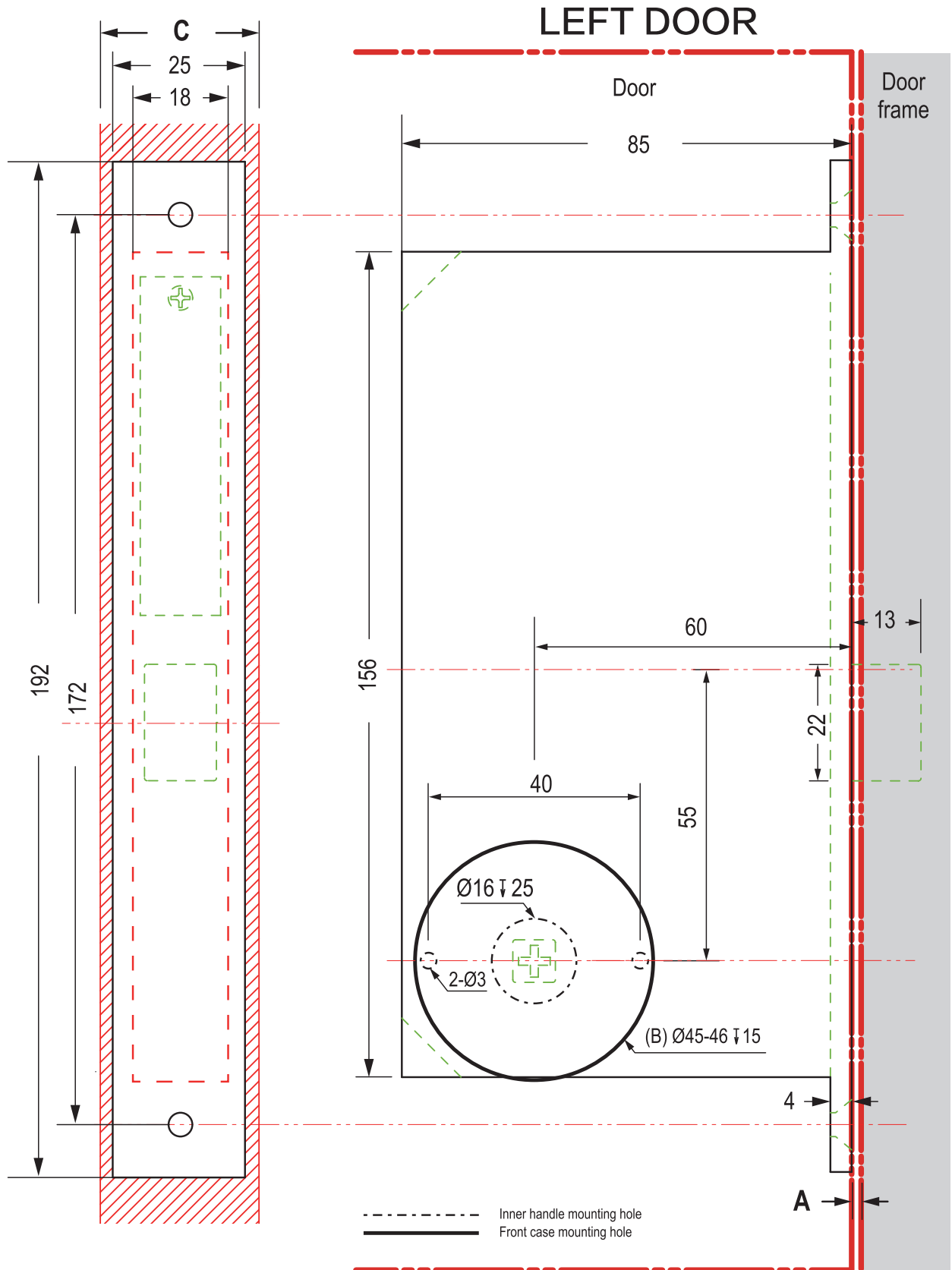


A = The distance between the door frame : Minimum 3-5mm

B = $\text{Ø}45$ does not require adhesive and can be press-fitted directly; $\text{Ø}46$ requires adhesive

UNIT:mm

INSTALLATION DIAGRAM



A = The distance between the door frame : Minimum 3-5mm

B = $\varnothing 45$ does not require adhesive and can be press-fitted directly; $\varnothing 46$ requires adhesive

C = Thickness of door

UNIT:mm